

28730

APPLICATION

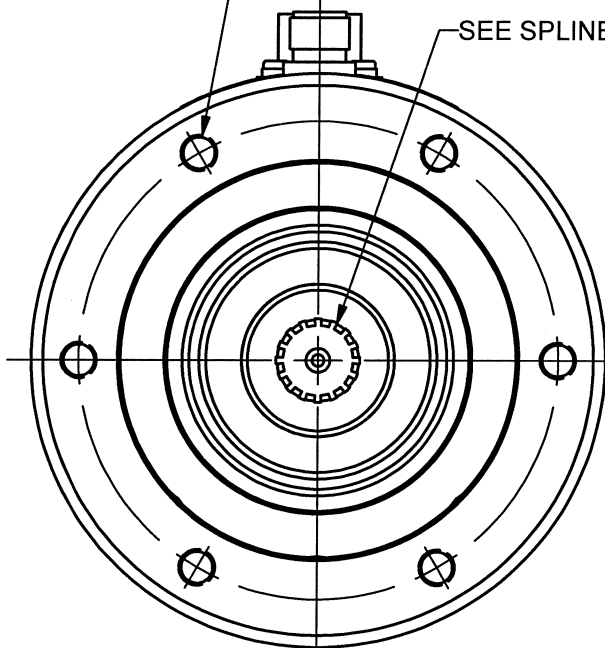
NEXT ASSY	USED ON	VAR

PCB Piezotronics Inc. claims proprietary rights in the information disclosed hereon. Neither it nor any reproduction thereof will be disclosed to others without the written consent of PCB Piezotronics Inc.

REVISIONS

REV	DESCRIPTION	ECN	APP'D
NR	RELEASED TO DRAFTING		Bm 12/24

3/8-24 UNF - 3B
X .75 [19.1] ∇
TYP 6 PLACES
EQUALLY SPACED
ON A ϕ 5.000 [127.00] B.C.
FOR OPTIONAL 3/8-24 UNF-3B
STUDS



SEE SPLINE DATA CHART

2.213 \pm .000
- .625
[56.21 \pm .00]
- 15.88]

1.75
[44.5] MIN

ϕ 4.126 \pm .001
[104.80 \pm .03]

1.592
 ϕ [40.44]

3/8-24 UNF - 3B THREAD
FOR OPTIONAL THERMOCOUPLES
FOR BEARING TEMPERATURE MONITORING

ϕ 1.00 [25.4]
PUMP LEAKAGE
DRAIN HOLES
TYP 3 PLACES
45° APART

SPEED SENSOR
(OPTIONAL)
MAGNET PICK-UP WITH
60 TOOTH GEAR

ϕ .688 \pm .030
- .000
SPOT FACE
TYP 6 PLACES

.45
[11.4] MAX

.375 \pm .010
- .030
[9.53 \pm .25]
- .76]

SEE SPLINE DATA CHART

5 PIN ELECTRICAL
CONNECTOR
MS-3102A-14S-5P

ϕ 6.00
[152.4]

4.121 \pm .001
 ϕ [104.67 \pm .03]

.65
[16.5]

.250 \pm .000
- .063
[6.35 \pm .00]
- 1.60]

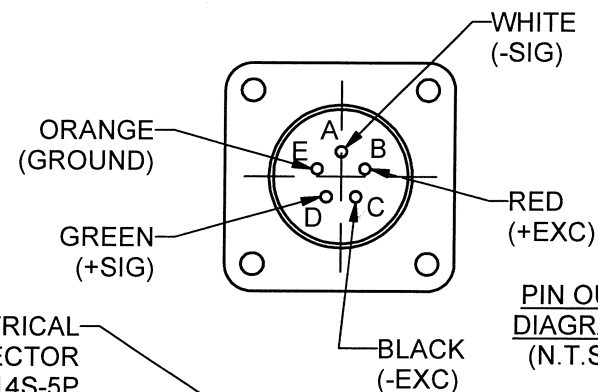
2.05
[52.1]

.14
[3.6]

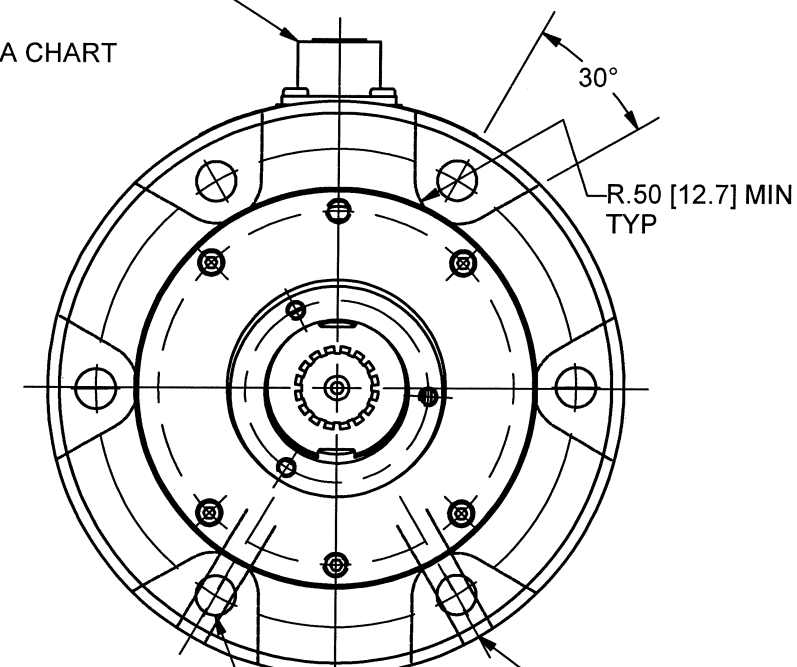
1.100 \pm .060
- .125
[27.94 \pm 1.52]
- 3.18]

8.25
[209.6]

9.35
[237.5]



PIN OUT
DIAGRAM
(N.T.S.)



30°

R.50 [12.7] MIN
TYP

GEAR BOX
LEAKAGE DRAIN

ϕ .416 [10.57]
THRU ONE WALL
EQUALLY SPACED
ON A ϕ 5.000 [127.00] B.C.

INTERNAL AND EXTERNAL SPLINE DATA	
PRESSURE ANGLE	30°
PITCH DIAMETER	.800 [20.32]
PITCH	20 / 30
NUMBER OF TEETH	16

UNLESS OTHERWISE SPECIFIED TOLERANCES ARE:

DIMENSIONS IN INCHES	DIMENSIONS IN MILLIMETERS [IN BRACKETS]
DECIMALS XX \pm .03 XXX \pm .010 ANGLES \pm 2 DEGREES	DECIMALS X \pm 0.8 XX \pm 0.25 ANGLES \pm 2 DEGREES

FILLETS AND RADI .003 - .005	FILLETS AND RADI [0.07 - 0.13]
---------------------------------	-----------------------------------

DRAWN	QJM	12/16/04	MFG	LS	12/16/04
CHK'D	SM	12/16/04	ENGR	MJC	12/16/04
APP'D	DMB	12/16/04	SALES	DM	12/16/04

TITLE
OUTLINE DRAWING
MODEL 4115A SERIES
TORQUE SENSOR

PCB PIEZOTRONICS
3425 WALDEN AVE. DEPEW, NY 14043
(716) 684-0001 E-MAIL: sales@pcb.com

CODE IDENT. NO. 52681	DWG. NO. 28730
SCALE: 1/2	SHEET 1 of 1