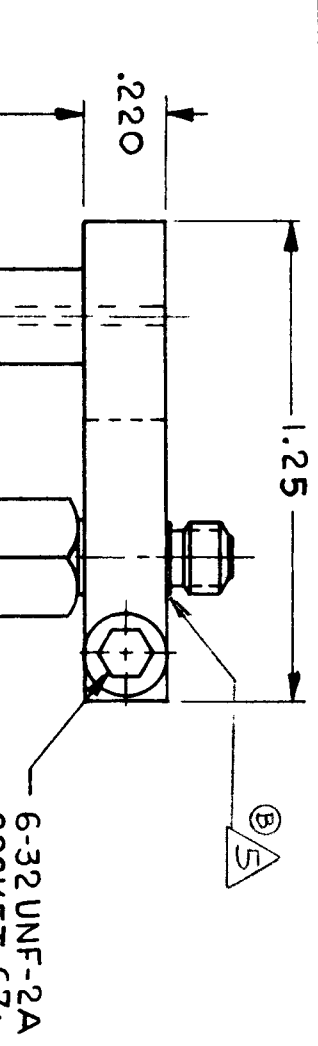
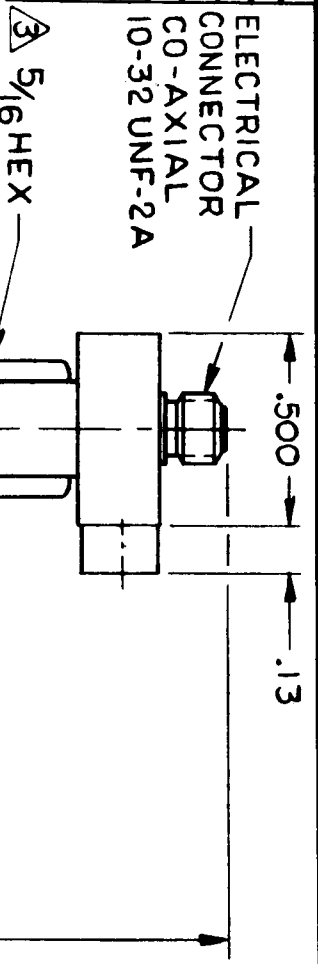


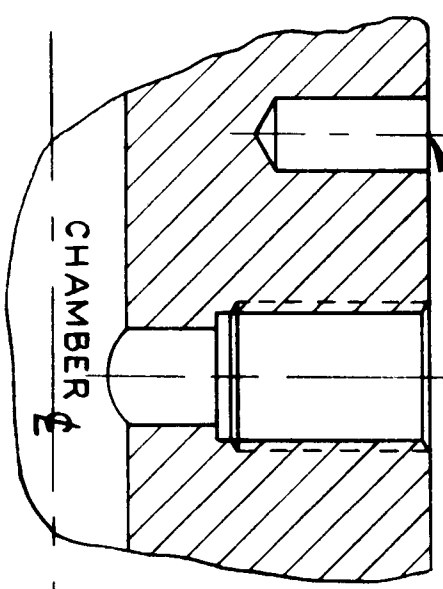
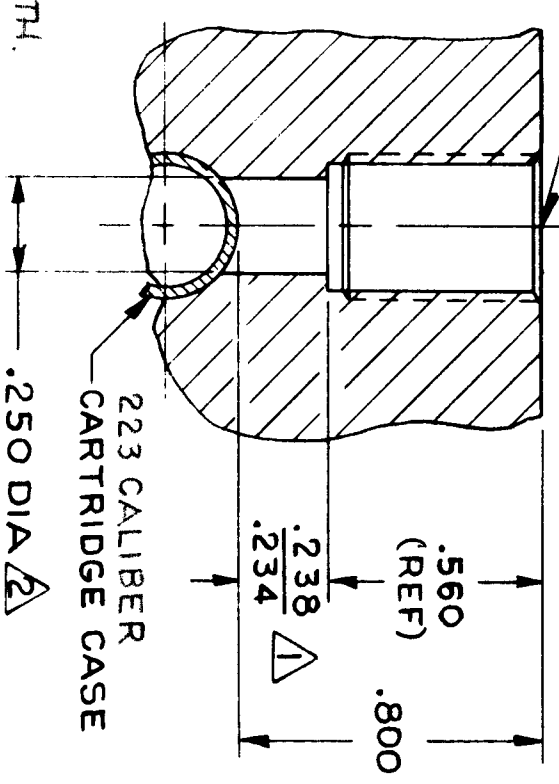
| | | | |
|-------------|------------|-------|--|
| 117-2300-90 | | | |
| APPLICATION | USED ON | I/A/R | |
| QTY. | NEXT ASSY. | | |
| | | | |
| | | | |
| | | | |
| | | | |
| | | | |



| REV | DESCRIPTION | APP'D |
|-----|------------------|------------|
| A | REV PER ECR #518 | EOR 6/1/80 |
| B | ADDED NOTE 5 | EOR 7/2/87 |

065A19, VAR 05 SPACER (REF)
065A19 SPACER SET CONSISTS OF 9 SPACERS OF VARIOUS THICKNESS FROM .010 TO .018 (SUPPLIED)

MOUNTING HOLE PREPARATION:
DRILL # REAM 1/4 (.2500 DIA) THRU
CBORE "Q" (.332 DIA) X .560 DP
TAP 3/8-24 UNF-2B X .480 PERF THD



A OF XDCR HOLE TO BE PARALLEL WITH ALIGNMENT HOLE TO WITHIN ±15 MIN
 PILOT DRILL #16 (.177 DIA)
 X .400 DEEP MIN
 REAM 3/16 (.1875 DIA)
 X .400 DEEP

223REM

- 5 LOCATE YELLOW DOT TOWARD CASE MOUTH.
- 4 ALIGNMENT HOLE MAY BE LOCATED EITHER FORE OR AFT OF XDCR MOUNTING HOLE.
- 3 MOUNTING TORQUE ON 5/16 HEX, 5-10 FT. LBS.
- 2 Ø OF .250 HOLE MUST INTERSECT Ø OF CHAMBER BORE WITHIN .001
- 1 HOLD THIS DIMENSION TO OBTAIN FLUSH MOUNT.

| | | | | | | | | |
|--|----------|--------------------------|-----|-----------------------------|-------|-------------------------|---------|---------|
| UNLESS OTHERWISE SPECIFIED: DIMENSIONS ARE IN INCHES. | MATERIAL | DRAWN | EOR | 3/10/77 | MFG. | 3-77 | DATE | 3-77 |
| TOLERANCES: FRACTIONS ± 1/64, DECIMALS ± .008, ANGLES ± 1/2 DEG. BREAK SHARP EDGES .005 - .008 | FINISH | CHECKED | EOR | 3/10/77 | ENGR. | 3/10/77 | RELEASE | 3/10/77 |
| TITLE: INSTALLATION DRAWING | | MODEL: 117 B30 CONFORMAL | | BALLISTICS TRANSDUCER | | SCALE: 2 X SHEET 1 OF 1 | | |
| pcB piezotronics, inc. | | BUFFALO, NEW YORK 14225 | | CODE IDENT. NO. 117-2300-90 | | | | |