

2

1

APPLICATION

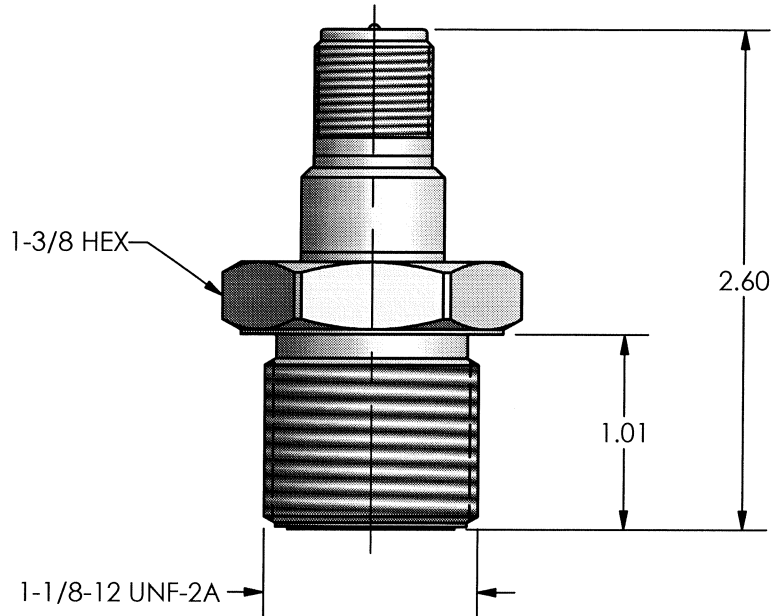
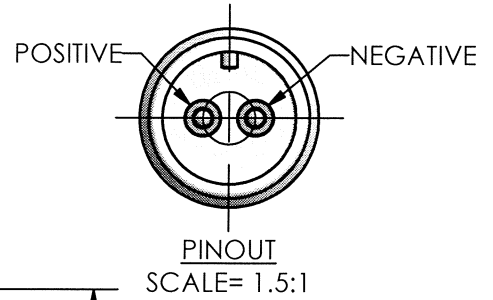
REVISIONS

NEXT ASS'Y	USED ON	VAR

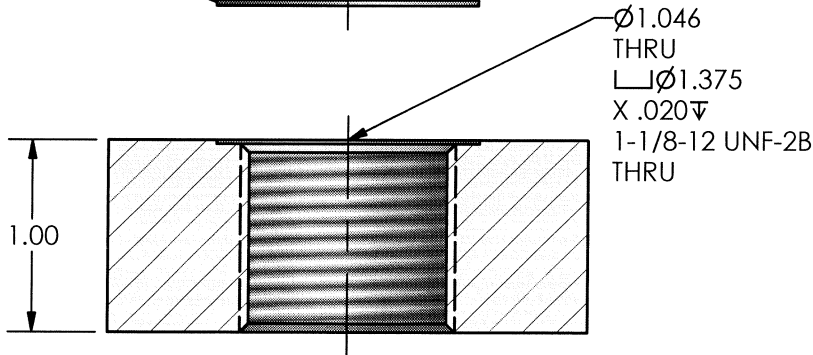
REV	DESCRIPTION	ECN	APP'D
NR	RELEASED TO DRAFTING		ECB 5/11/06

33819

PCB Piezotronics Inc. claims proprietary rights in the information disclosed hereon. Neither it nor any reproduction thereof will be disclosed to others without the written consent of PCB Piezotronics Inc.



BRASS SEAL SUPPLIED



1.) RECOMMENDED MOUNTING TORQUE ON A 1-3/8 HEX IS: 55-60 INCH/LBS [6.2-6.7 Nm]

UNLESS OTHERWISE SPECIFIED TOLERANCES ARE:

DIMENSIONS IN INCHES	DIMENSIONS IN MILLIMETERS [IN BRACKETS]
DECIMALS XX ± .01 XXX ± .005	DECIMALS X ± 0.3 XX ± 0.13
ANGLES ± 2 DEGREES	ANGLES ± 2 DEGREES

DRAWN	<i>RF</i>	MFG	<i>RC</i>
CHK'D	<i>ECB</i>	ENGR	<i>MEM</i>
APP'D	<i>RF</i>	SALES	<i>DPC</i>
TITLE			

PCB PIEZOTRONICS
 3425 WALDEN AVE. DEPEW, NY 14043
 (716) 684-0001 E-MAIL: sales@pcb.com

INSTALLATION DRAWING
MODEL 171M01
PRESSURE SENSOR

CODE IDENT. NO. 52681	DWG. NO. 33819
SCALE: FULL	SHEET 1 OF 1

2

1