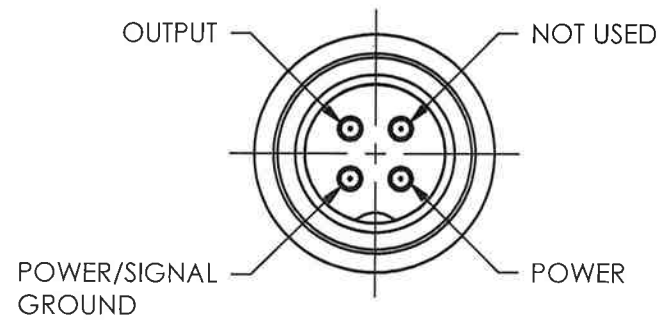


PCB Piezotronics Inc. claims proprietary rights in the information disclosed hereon. Neither it nor any reproduction thereof will be disclosed to others without the written consent of PCB Piezotronics Inc.

31896

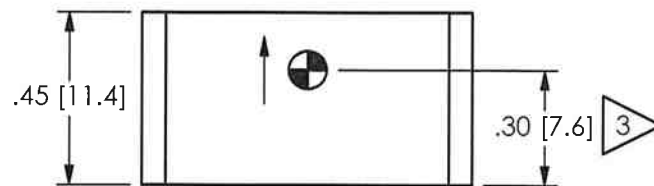
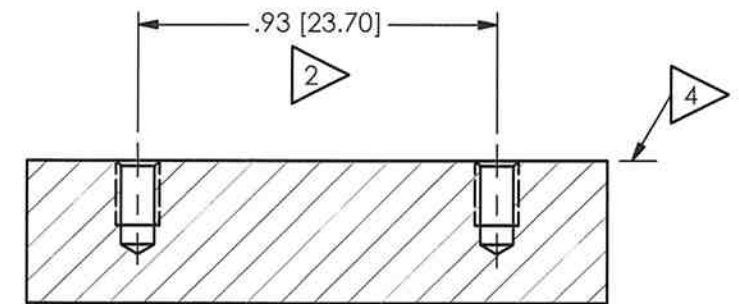
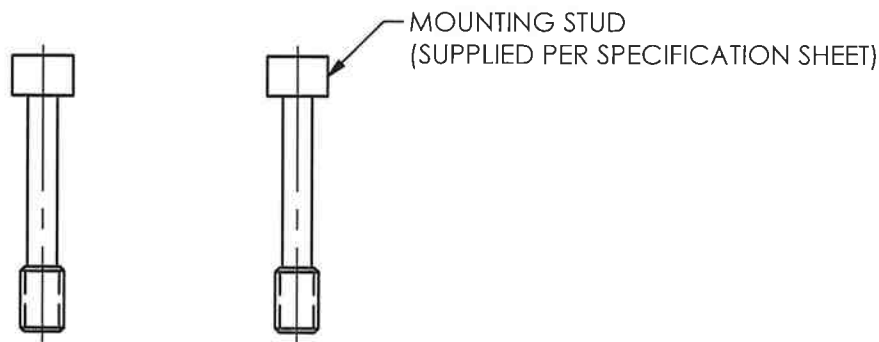
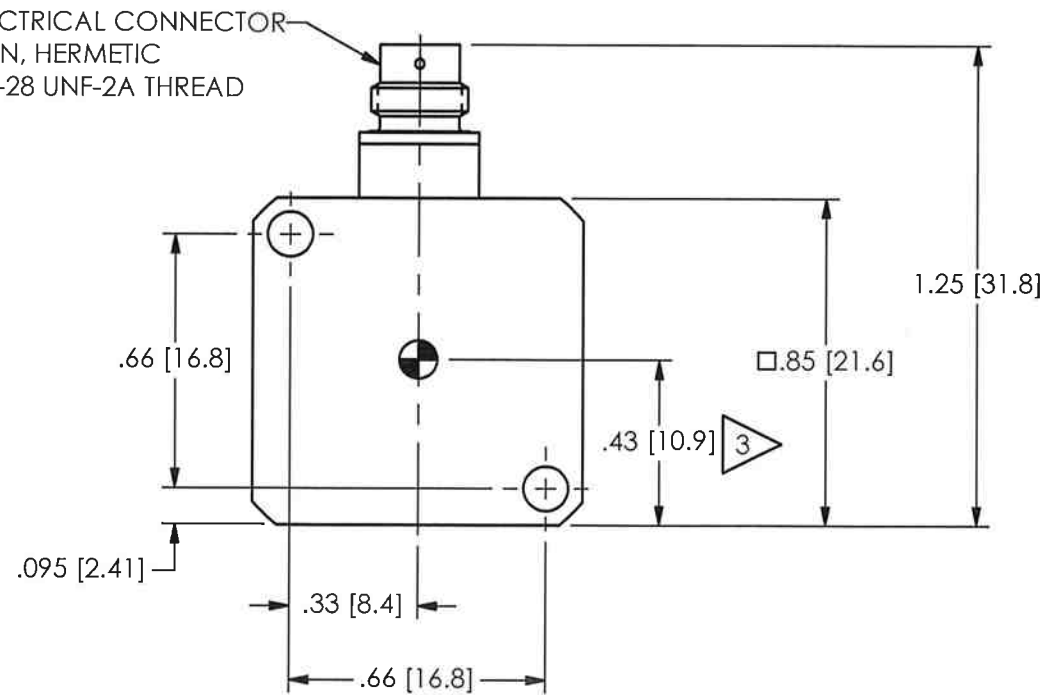
FRONT VIEW OF CONNECTOR
SCALE 4:1



OUTPUT SIGNAL:
REFERENCE TO GROUND.

POWER:
CONNECT TO DC VOLTAGE
POWER SUPPLY. SEE
SPECIFICATION SHEET FOR
PROPER EXCITATION
VOLTAGE.

ELECTRICAL CONNECTOR
4 PIN, HERMETIC
1/4-28 UNF-2A THREAD



MOUNTING HOLE PREPARATION:

Ø.089 [2.26]
X .220 [5.59] ▽ MIN
4-40 UNC-2B
X .170 [4.32] ▽ MIN

METRIC MOUNTING HOLE PREPARATION:

Ø.081 [2.05]
X .180 [4.57] ▽ MIN
M2.5 X .45-6H
X .130 [3.30] ▽ MIN

REVISIONS		
REV	DESCRIPTION	ECO
B	UPDATED NOTES	28484
C	UPDATE MOUNTING STUDS	29364

5.) SEE SHEET 2 OF 2 FOR CABLE STRAIN RELIEF INFORMATION.

4 RECOMMENDED MOUNTING SURFACE SHOULD BE FLAT TO WITHIN .003 [.08] TIR OVER Ø1.21 [30.5] WITH A .32 [.08] FINISH FOR BEST RESULTS.

3 CG-CENTER OF SEISMIC MEASUREMENT

2 DIAGONAL MOUNTING DIMENSION BETWEEN HOLES.

1 RECOMMENDED MOUNTING TORQUE ON MOUNTING STUD, 4-5 IN-LBS [45-55 N-CM].

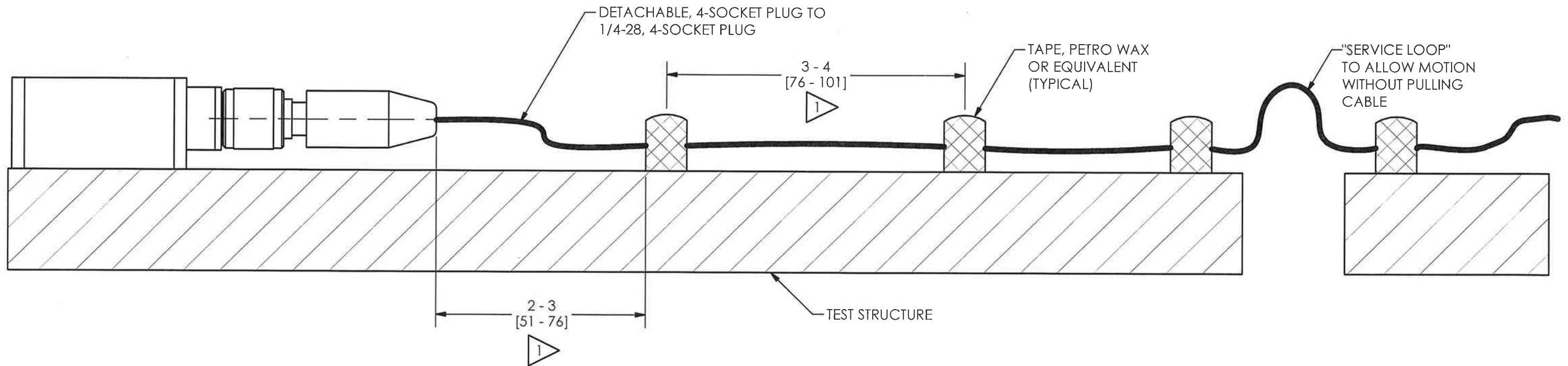
UNLESS OTHERWISE SPECIFIED TOLERANCES ARE:				DRAWN	MDF	1/15/09	MFG	BAS	1/15/09
DIMENSIONS IN INCHES		DIMENSIONS IN MILLIMETERS [IN BRACKETS]		CHK'D	EB	1/15/09	ENGR	TCJ	1/15/09
DECIMALS XX ±.01 XXX ±.005		DECIMALS X ±.03 XX ±.013		APP'D	EB	1/15/09	SALES	RL	1/15/09
ANGLES ± 2 DEGREES		ANGLES ± 2 DEGREES		TITLE INSTALLATION DRAWING MODEL 3711 SERIES DC ACCELEROMETER					
FILLETS AND RADII .003 - .005		FILLETS AND RADII [0.07 - 0.13]							
				CODE IDENT. NO. 52681		DWG. NO. 31896		3425 WALDEN AVE. DEPEW, NY 14043 (716) 684-0001 E-MAIL: sales@pcb.com	
				SCALE: 2 X		SHEET 1 OF 2			



PCB Piezotronics Inc. claims proprietary rights in the information disclosed hereon. Neither it nor any reproduction thereof will be disclosed to others without the written consent of PCB Piezotronics Inc.

31896

REVISIONS		
REV	DESCRIPTION	ECO
	- SEE SHEET 1 -	



1 FASTEN CABLE TO TEST STRUCTURE TYPICALLY WITHIN 2-3" [51-76] OF SENSOR. THEN FASTEN AGAIN WITHIN 3-4" [76-101] OF PREVIOUS ATTACHMENT. BETWEEN THE TEST STRUCTURE AND A FIXED STRUCTURE, ALLOW A SERVICE LOOP LARGE ENOUGH TO PREVENT PULLING OF THE CABLE WHEN SHAKING. MORE ATTACHMENT POINTS WILL PROVIDE LESS NOISE IN THE RESULTING DATA. LOOSE CABLES OR PARTS ELSEWHERE ON THE TEST STRUCTURE CAN ALSO GENERATE "NOISE" ON THE SIGNAL RECEIVED FROM THE MODEL 3711 SERIES.

UNLESS OTHERWISE SPECIFIED TOLERANCES ARE:		DRAWN	MDF	1/15/09	MFG	SP	1/15/09
DIMENSIONS IN INCHES	DIMENSIONS IN MILLIMETERS [IN BRACKETS]	CHK'D	EB	1/15/09	ENGR	TCJ	1/15/09
DECIMALS XX ±.01 XXX ±.005	DECIMALS X ±0.3 XX ±0.13	APP'D	EB	1/15/09	SALES	RL	1/15/09
ANGLES ± 2 DEGREES	ANGLES ± 2 DEGREES	TITLE					
FILLETS AND RADII .003 - .005	FILLETS AND RADII [0.07 - 0.13]	INSTALLATION DRAWING MODEL 3711 SERIES DC ACCELEROMETER					

PCB PIEZOTRONICS
 3425 WALDEN AVE. DEPEW, NY 14043
 (716) 684-0001 E-MAIL: sales@pcb.com

CODE IDENT. NO. 52681
 DWG. NO. 31896

SCALE: 2 X SHEET 2 OF 2