

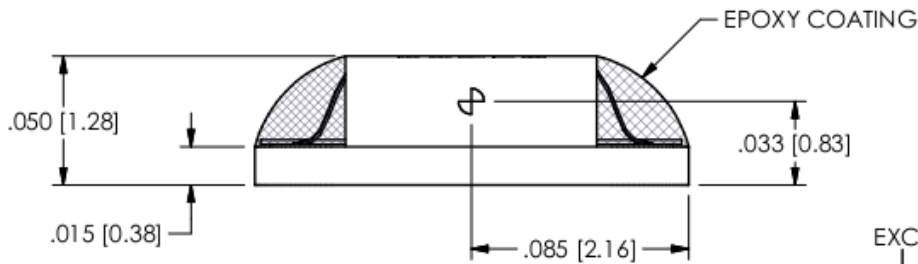
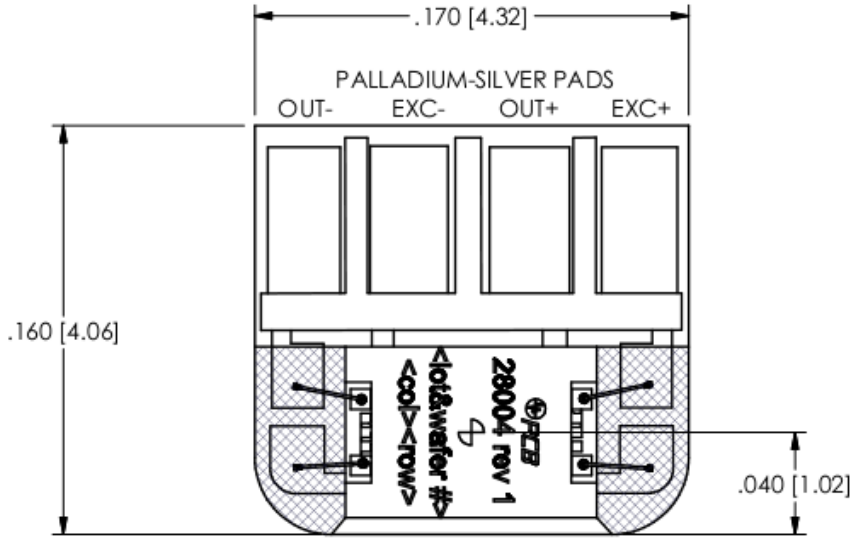
37706

PCB Piezotronics Inc. claims proprietary rights in the information disclosed hereon. Neither it nor any reproduction thereof will be disclosed to others without the written consent of PCB Piezotronics Inc.

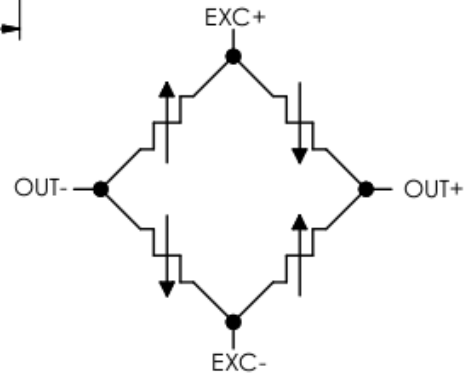
ITAR CONTROLLED PRODUCT

THIS PRODUCT IS A CONTROLLED ITEM UNDER THE INTERNATIONAL TRAFFIC IN ARMS REGULATIONS (ITAR) ADMINISTERED BY THE DIRECTORATE OF DEFENSE TRADE CONTROLS. ANY EXPORT OF THIS PRODUCT FROM THE UNITED STATES, INCLUDING ANY ITEM IN WHICH THIS PRODUCT MAY BE INCORPORATED, REQUIRES APPROPRIATE AUTHORIZATION FROM THE U.S. DEPARTMENT OF STATE. DIVERSION CONTRARY TO U.S. LAW IS PROHIBITED.

REVISIONS		
REV	DESCRIPTION	DIN
B	ADDED STAMP	34653



ACCELERATION IN THIS DIRECTION CAUSES VOLTAGE AT OUT+ TO INCREASE RELATIVE TO OUT- (IF EXC+ IS MORE POSITIVE THAN EXC-)



UNLESS OTHERWISE SPECIFIED TOLERANCES ARE:		DRAWN	CHECKED	ENGINEER		 3425 WALDEN AVE. DEPEW, NY 14043 (716) 684-0001 E-MAIL: sales@pcb.com			
DIMENSIONS IN INCHES	DIMENSIONS IN MILLIMETERS [IN BRACKETS]	SMB	2/21/11	SMB	2/21/11		BAM	2/21/11	
DECIMALS XX ±.03 XXX ±.010	DECIMALS X ±.08 XX ±.25	TITLE OUTLINE DRAWING 3991A30XXKG SHOCK ACCELEROMETER MODULE						CODE IDENT. NO. 52681	DWG. NO. 37706
ANGLES ± 2 DEGREES	ANGLES ± 2 DEGREES							SCALE: 15X	
FILLETS AND RADII .003 - .005	FILLETS AND RADII 0.07 - 0.13								